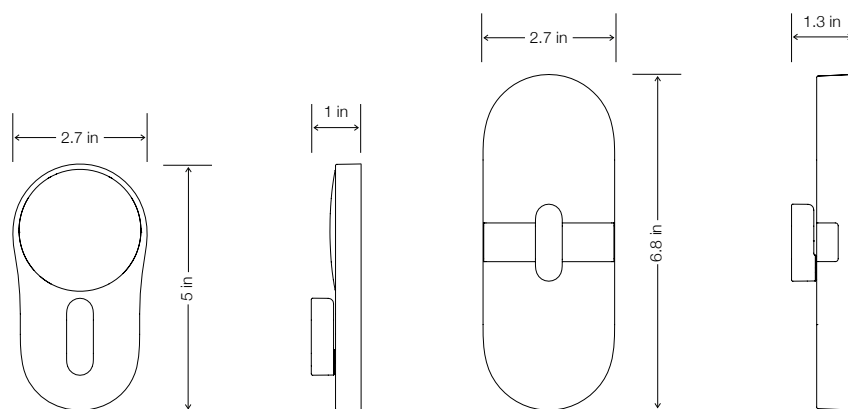


C2

Specification

Dimensions



Finishes



**Latch Black Exterior,
Latch Black Interior**

Matte Finish
Zinc Alloy Exterior & Turns
Polycarbonate Lens & Battery Cover



**Latch Black Exterior,
Latch White Interior**

Matte Finish
Zinc Alloy Exterior & Turns
Polycarbonate Lens & Battery Cover



**Satin Chrome Exterior,
Latch White Interior**

Satin Finish
Zinc Alloy Exterior & Turns
Polycarbonate Lens & Battery Cover



**Latch White Exterior,
Latch White Interior**

Matte Finish
Zinc Alloy Exterior & Turns
Polycarbonate Lens & Battery Cover

Features

Credential Types	Smartphone, NFC Keycard, Doorcode
Users	1500
Management	App and Cloud

Communication

Wireless Standards	Bluetooth Low Energy 5.0 (BLE), Near Field Communication (NFC)
NFC Frequency	13.56 MHz
NFC Type	DESFire Light
Supported Devices	iOS, Watch OS, and Android (see website for full list of supported devices)

Power

Power Supply	6 AA non-rechargeable alkaline batteries
Battery Status	Passive monitoring and active notifications via LatchOS
Inductive Jumpstart	Qi-compatible power source can wireless power a Bluetooth unlock in the event of battery failure

Environmental

Operating Temperature	Exterior: -30°C to 70°C, Interior: -20°C to 54°C
Operating Humidity	0–95% relative humidity, non-condensing
Weather Resistance	Lens: IP65, Exterior/Interior Assemblies: IP55 — Interior assembly not intended for outdoor use.

Certifications and Warranty

Certifications	UL 10B/C (90 min), CAN/ULC S104, FCC Part 15, IC RSS, FL TAS 201/202/203-94, ANSI/BHMA 156.36 Grade 2 Certified
Compliance	Complies with Americans with Disabilities Act
Warranty	2-year limited warranty on electronic components, 5-year limited warranty on mechanical components

Mechanical Specifications

Lock Format	Patent-Pending Turn Mechanism Deadbolt
Handing	Field reversible
Door Thickness Compatibility	1-3/4" and 1-3/8"
Backset Compatibility	2-3/4" and 2-3/8"
Door Preparation	5-1/2" Center to Center with a 1" crossbore
Deadbolt Throw	1"
Faceplate Options	1" x 2-1/4" round corner, drive-in
Strike Plate	1-1/8" x 2-3/4" rounded corner security strike