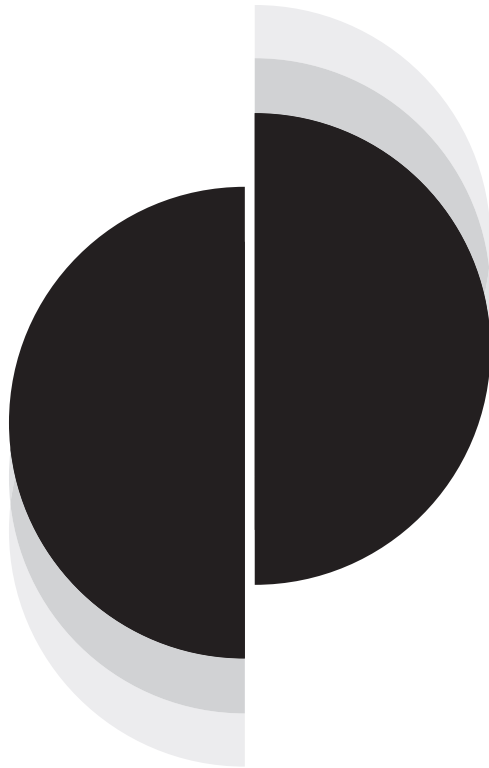


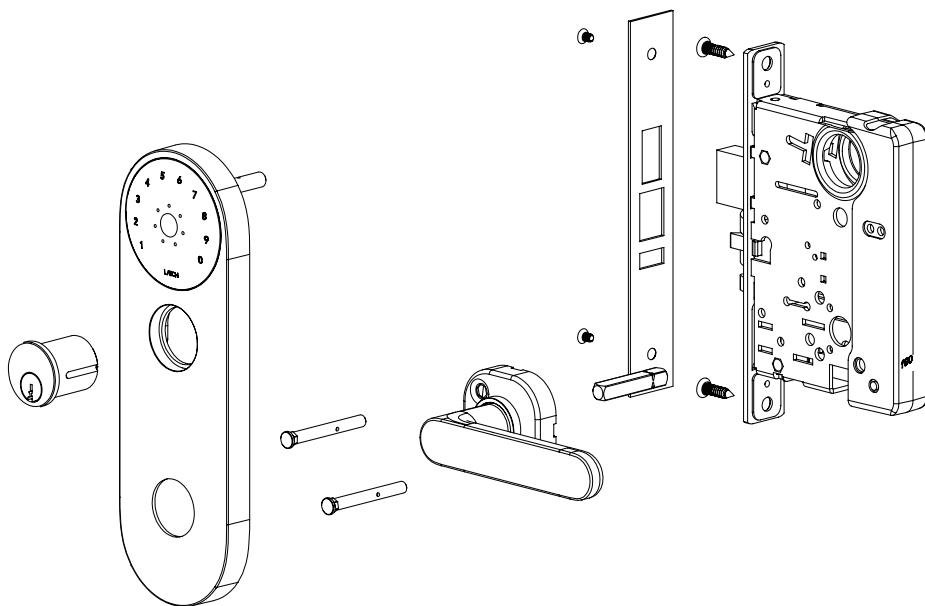
INSTALLATION GUIDE

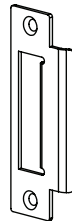
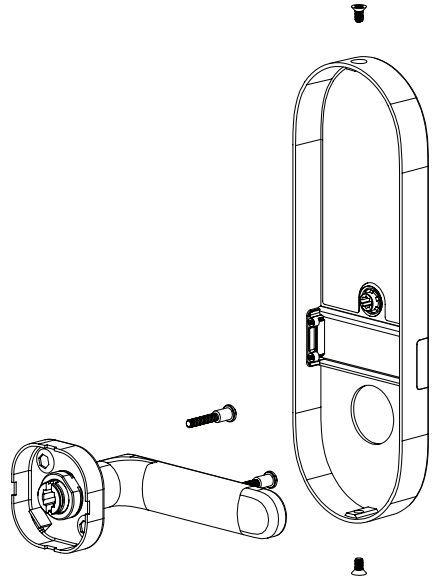
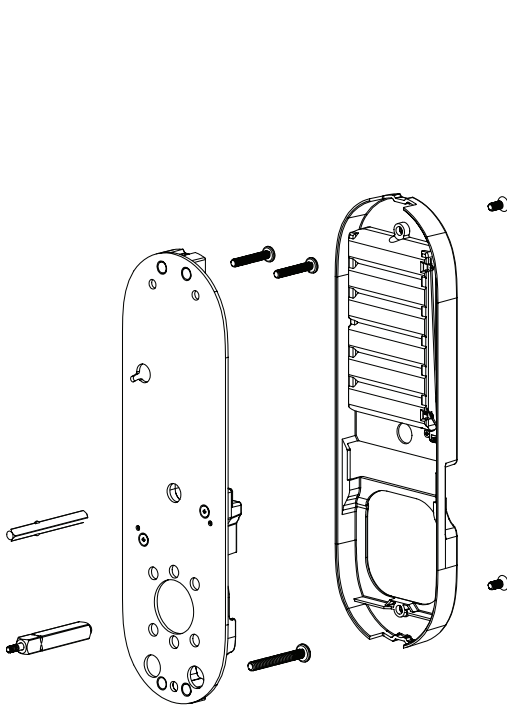


M SERIES (GENERATION 2)

LATCH

Inside the Box





STRIKE PLATE



STRIKE BOX

Hardware



X 2



X 1



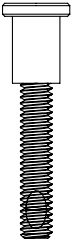
X 1



X 1



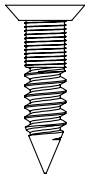
X 1



X 2



X 2



X 4



X 2



X 2



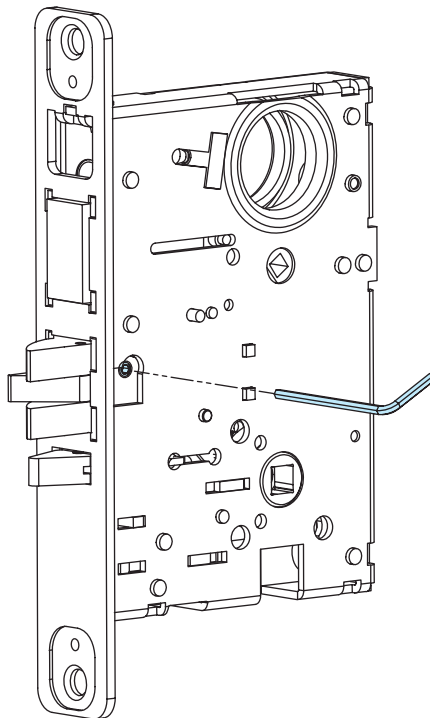
X 2

H A N D I N G

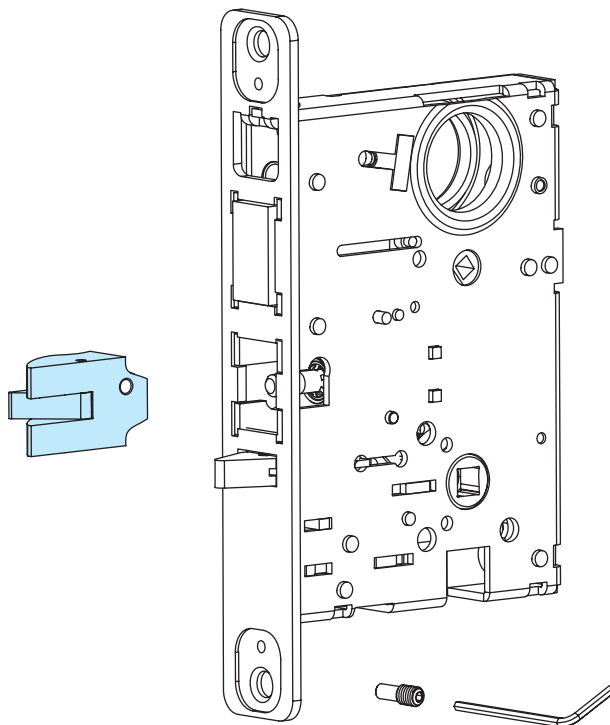
Here's how to make changes to the field reversible mortise lock body based on your door handing and swing.

How to change the latchbolt position:

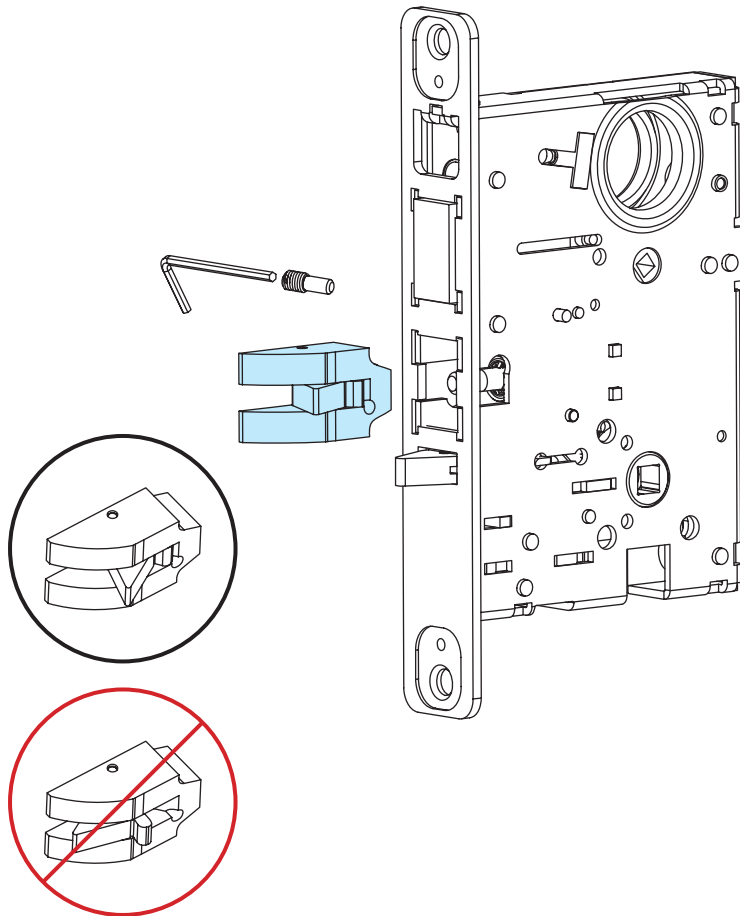
1 Remove the set screw with the Allen wrench.



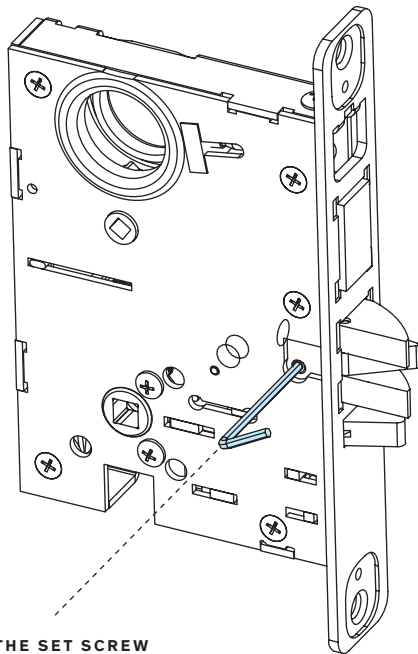
2 Pull the latchbolt out of the lock.



3 Rotate the latchbolt 180° and reinstall into the lock body.
Push the latchbolt into the lock and then release.



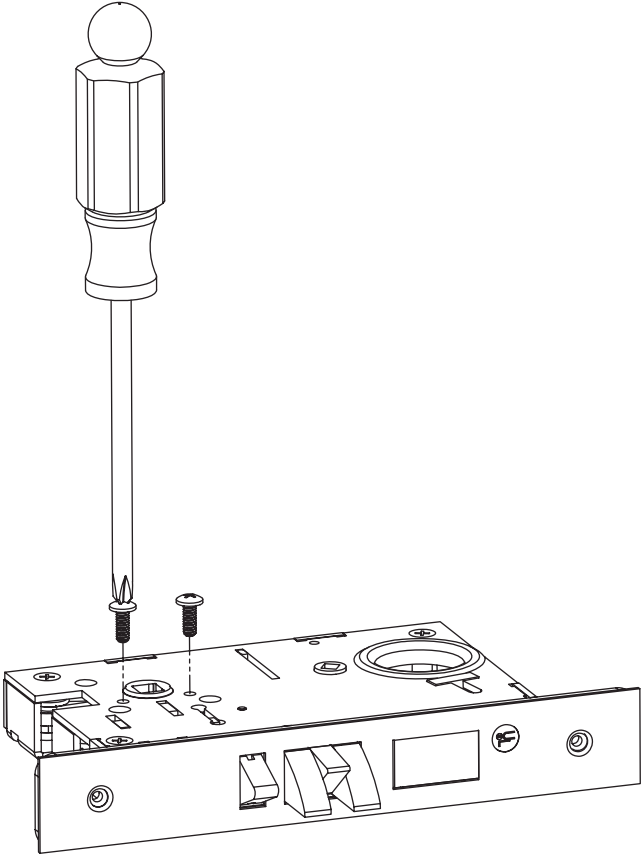
4 Reinstall the set screw and tighten securely with the Allen wrench.



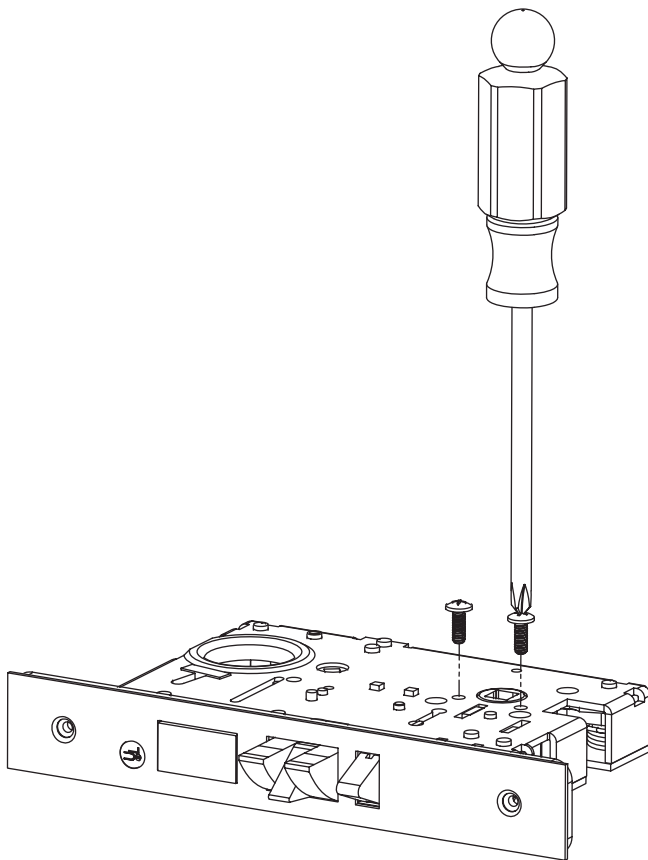
**INSERT THE SET SCREW
FROM THE OPPOSITE SIDE**

How to change the hub clutch locking side:

1 Remove the two screws as shown below.



2 Reinstall the screws on the opposite side of the mortise lock body.

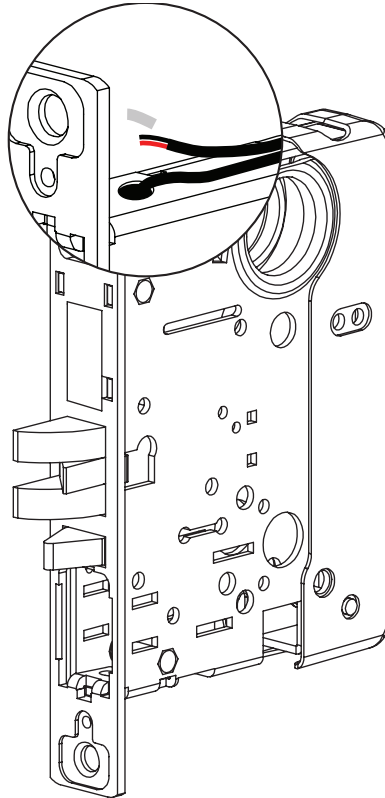


THE SCREWS SHOULD BE ON THE INTERIOR SIDE OF THE DOOR.

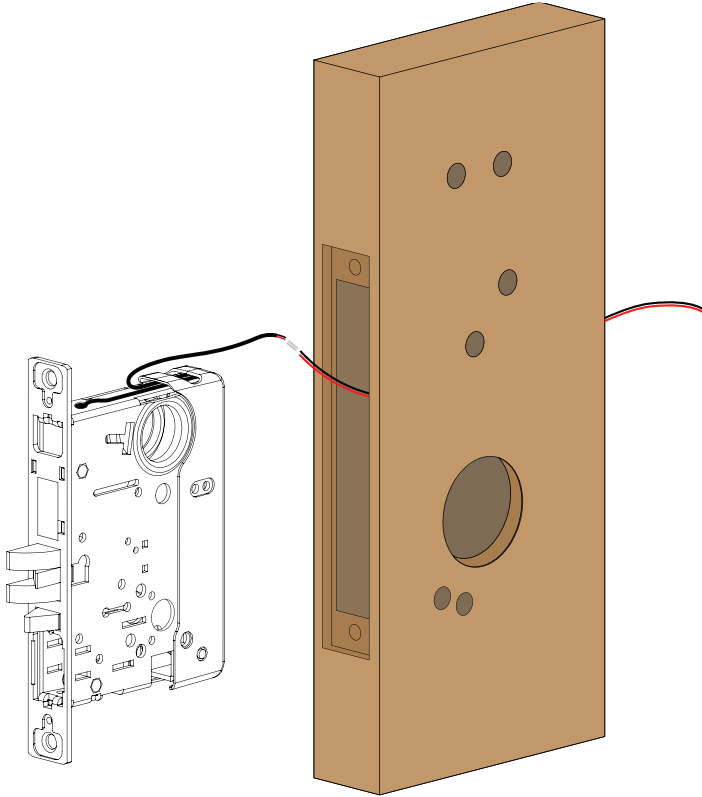
PERMANENT POWER WIRING

Optional preparation for permanently powering the device.

1 Remove cap from mortise power cable.



2 Connect power wires to mortise power cable with b-splice crimps provided.



Wiring

Wire Color	Name
Red	POS (+)
Black	GND (-)

Maximum Total Wire Length

AWG	22	20	18
Wire Length	50' (15m)	200' (61m)	500' (152m)

TECHNICAL SPECIFICATIONS

Wireless Communication.

NFC Card Type	MiFare Classic
---------------	----------------

Bluetooth	4.2
-----------	-----

Power.

Class 2 Isolated, UL Listed Power Supply (not included)

Supply Voltage	12VDC
----------------	-------

Power	2.4W (0.20A @ 12VDC)
-------	----------------------

Environmental.

Operating Temperature	Exterior: -30°C to 70°C,
-----------------------	--------------------------

	Interior: -20°C to 54°C,
--	--------------------------

Operating Humidity	95%, non-condensing
--------------------	---------------------

Certifications

UL 10B (90 min)

UL 10C (90 min)

FCC Part 15

IC RSS

Warranty.

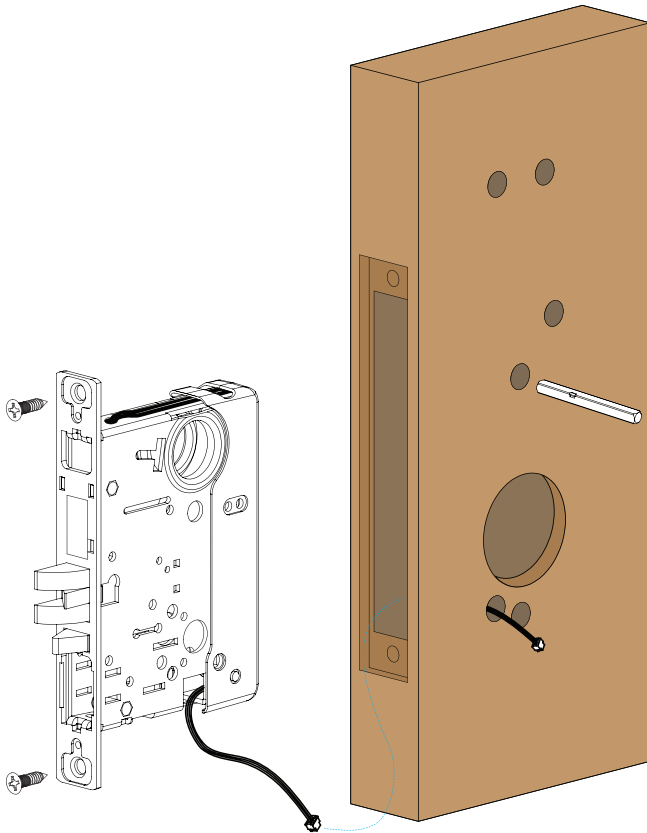
1-year limited warranty on electronics, 5-year limited warranty on mechanical parts

INSTALLATION

1

Prepare the door according to the template provided.
Install the mortise lock body as shown and secure with two screws. Feed the cable through as shown.

Avoid pinching or pulling on the cable.



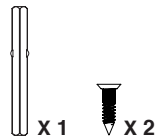
1.1

Place the thumb turn spindle to help balance the mounting plate while assembling the lever in the next step.

CABLE ROUTING

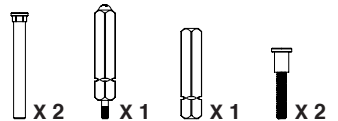
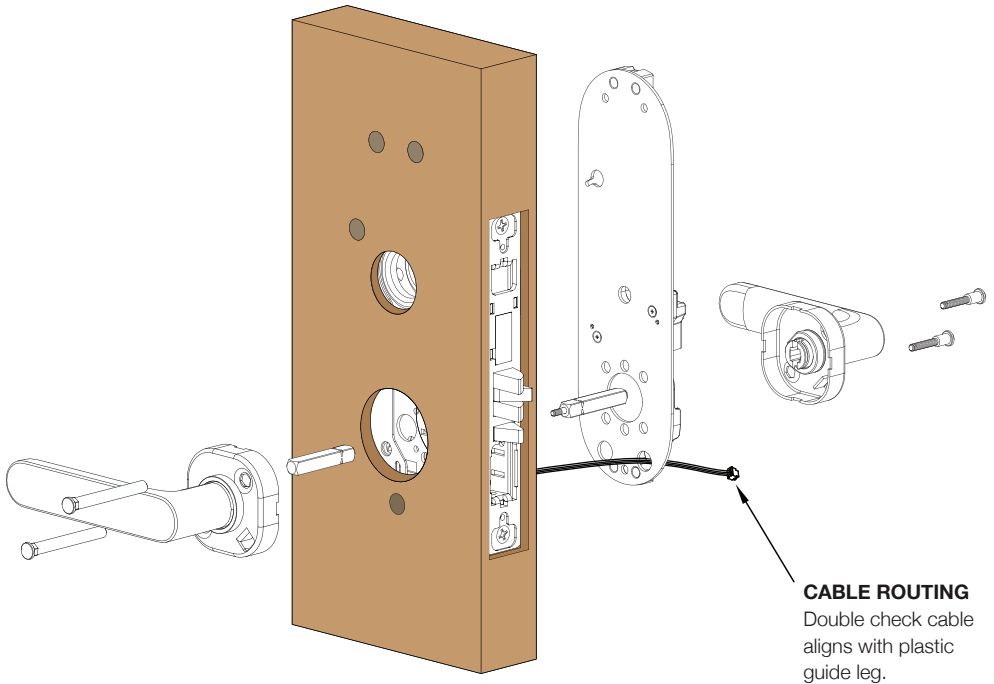
Shown for left-handed door.

For right-handed doors, the mortise cable is fed through the hole furthest from the door edge.



2

Put the outer & inner (screw side) lever spindles in the lever hub and hand tighten the screw. Place the mounting plate over the inner spindle. Add the outer & inner levers. Lastly, put the posts through the outer lever bracket holes and connect the lever screws through the inner lever bracket holes.

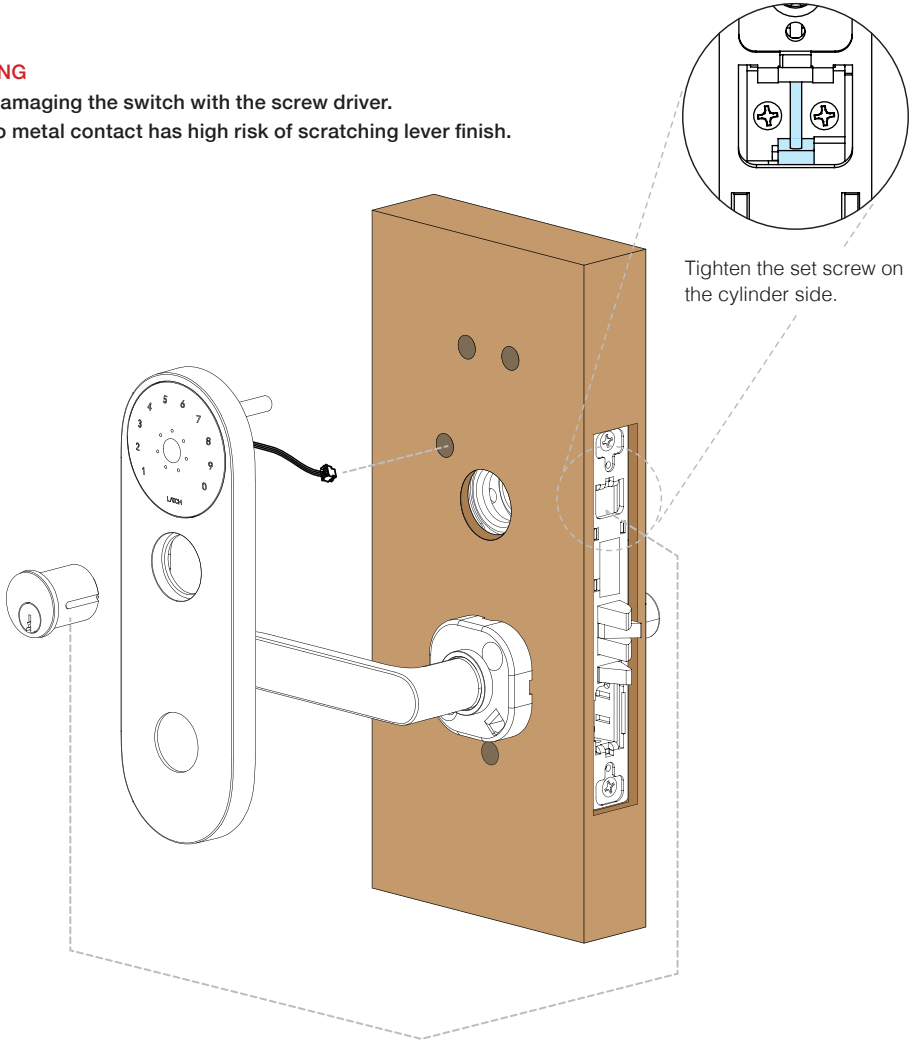


3

Guide outer trim onto the outer lever. Feed the lens module cable through the door hole as shown. **Avoid pinching the cable.** Screw the cylinder into the mortise lock body.

WARNING

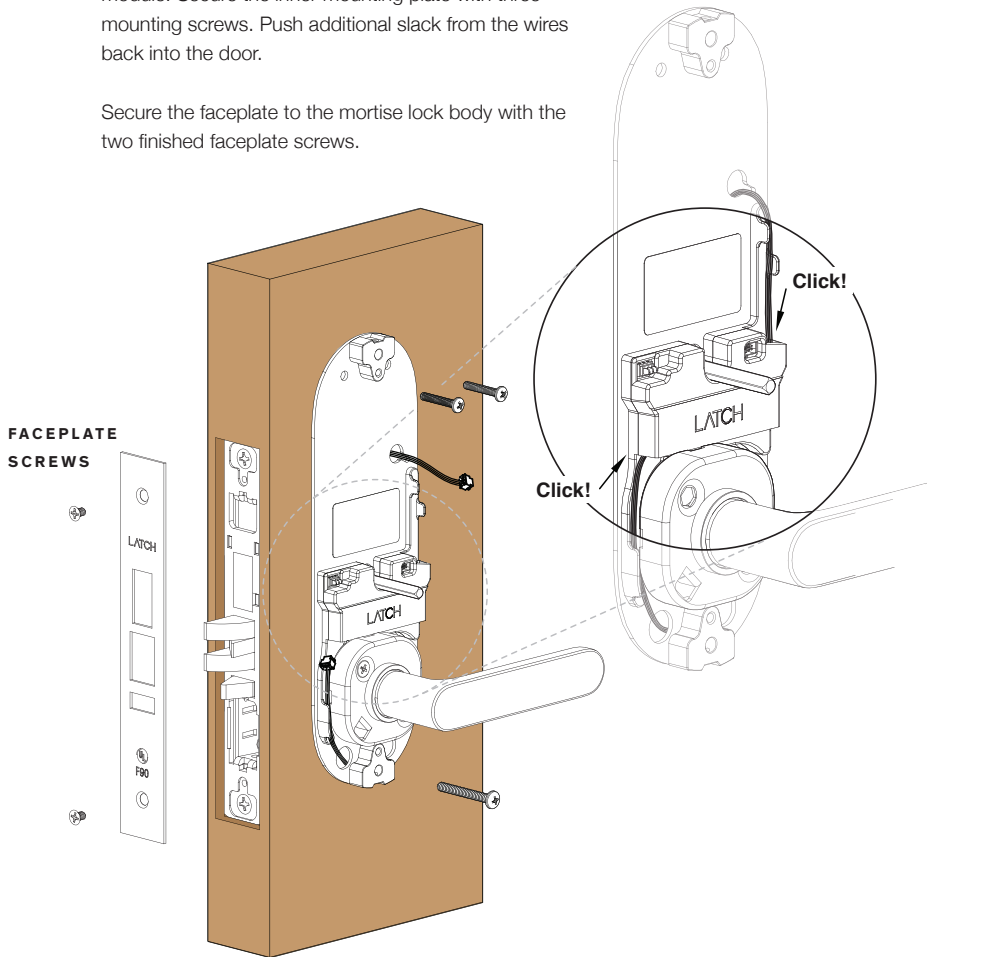
Avoid damaging the switch with the screw driver.
Metal to metal contact has high risk of scratching lever finish.



4

Secure the inner mounting plate. Route the wires as shown. Plug the mortise cable and the lens module cable into the appropriate connectors on the control module. Secure the inner mounting plate with three mounting screws. Push additional slack from the wires back into the door.

Secure the faceplate to the mortise lock body with the two finished faceplate screws.



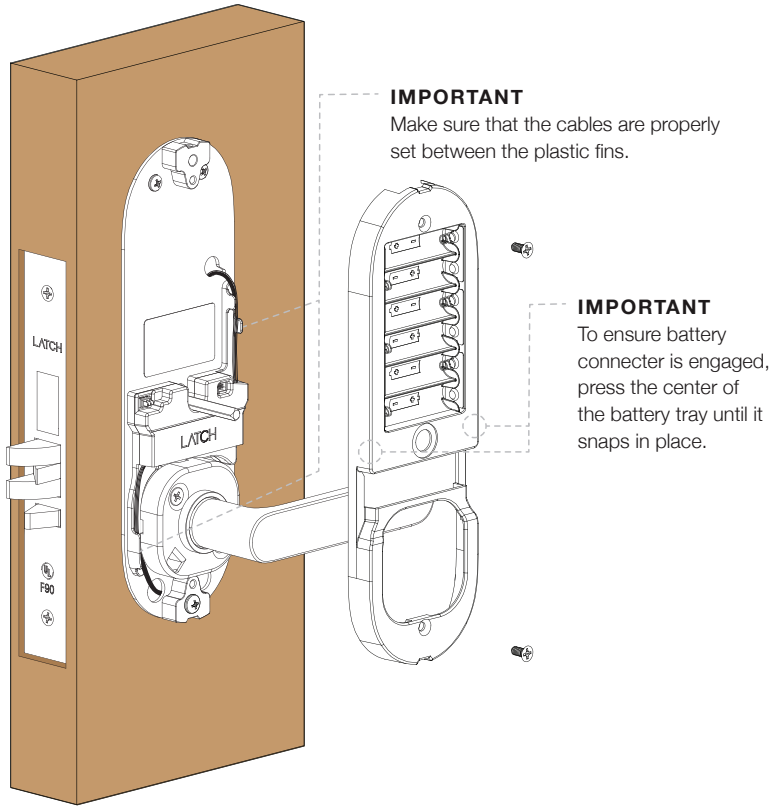
WARNING

Over-tightening may warp hollow doors.



5

Line up the battery tray to the inner mounting plate, secure with the two battery tray mounting screws.

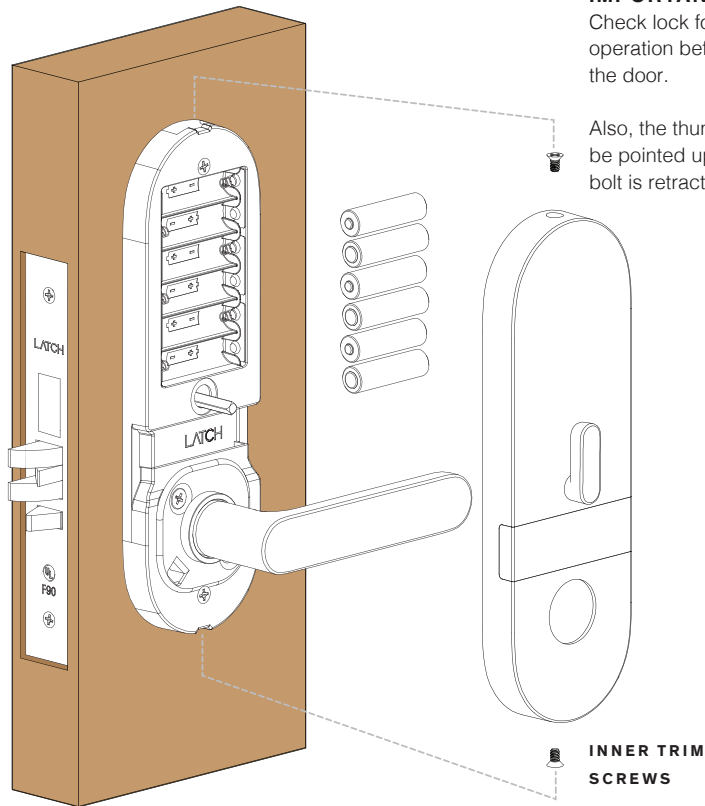


WARNING

Avoid pinching the cables between the battery tray and the mounting plate.

6

Load six AA non-rechargeable alkaline batteries. Guide the inner trim over the lever. Use the two mounting screws to secure the inner trim.



IMPORTANT

Check lock for correct operation before closing the door.

Also, the thumbturn should be pointed up when the bolt is retracted.

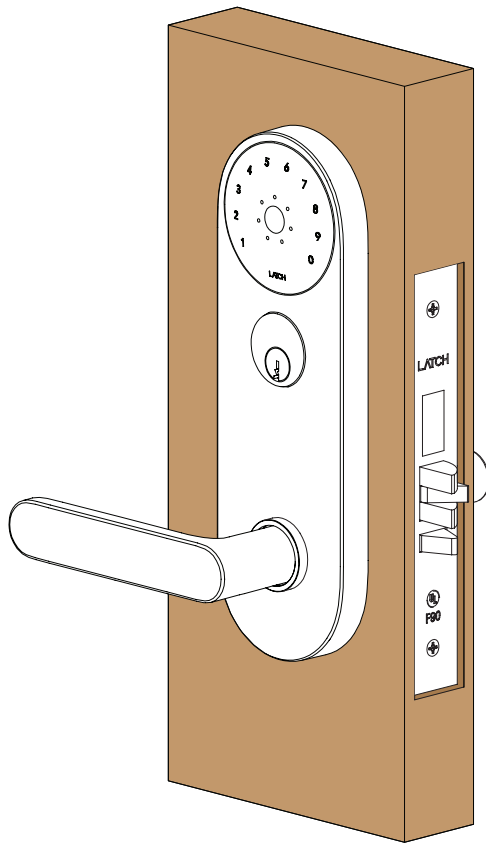
WARNING

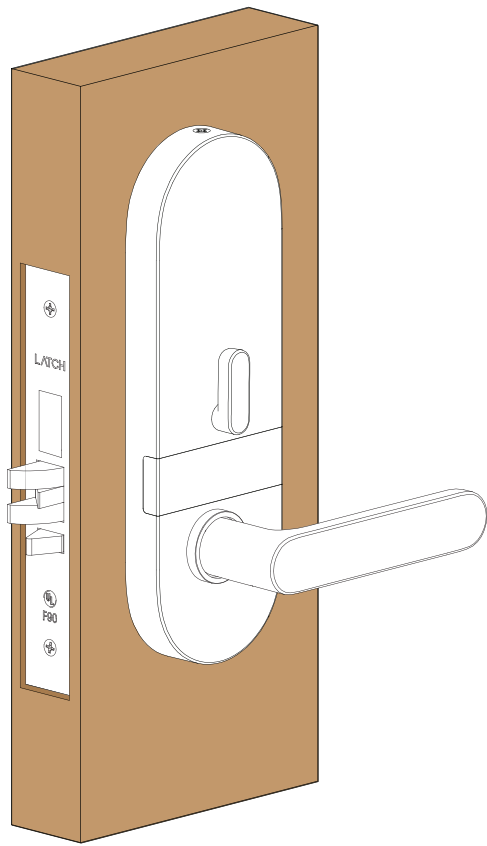
Incorrect battery orientation can cause damage.

Never mix new and old batteries.

Metal to metal contact has high risk of scratching lever finish.

🗑️ X 2





Federal Communication Commission Interference Statement

This device complies with Part 15 of the FCC Rules. Operation is subject to the following two conditions:

(1) This device may not cause harmful interference, and (2) this device must accept any interference received, including interference that may cause undesired operation.

This equipment has been tested and found to comply with the limits for a Class B digital device, pursuant to Part 15 of the FCC Rules. These limits are designed to provide reasonable protection against harmful interference in a residential installation. This equipment generates, uses and can radiate radio frequency energy and, if not installed and used in accordance with the instructions, may cause harmful interference to radio communications. However, there is no guarantee that interference will not occur in a particular installation. If this equipment does cause harmful interference to radio or television reception, which can be determined by turning the equipment off and on, the user is encouraged to try to correct the interference by one of the following measures:

- Reorient or relocate the receiving antenna.
- Increase the separation between the equipment and receiver.
- Connect the equipment into an outlet on a circuit different from that to which the receiver is connected.
- Consult the dealer or an experienced radio/TV technician for help.

FCC Caution:

Any changes or modifications not expressly approved by the party responsible for compliance could void the user's authority to operate this equipment.

This transmitter must not be co-located or operating in conjunction with any other antenna or transmitter.

Radiation Exposure Statement:

This equipment complies with FCC radiation exposure limits set forth for an uncontrolled environment. This equipment should be installed and operated with minimum distance 20cm between the radiator & your body.

Industry Canada statement:

This device complies with ISED's licence-exempt RSSs. Operation is subject to the following two conditions: (1) This device may not cause harmful interference, and (2) this device must accept any interference received, including interference that may cause undesired operation.

Le présent appareil est conforme aux CNR d'ISED applicables aux appareils radio exempts de licence. L'exploitation est autorisée aux deux conditions suivantes : (1) le dispositif ne doit pas produire de brouillage préjudiciable, et (2) ce dispositif doit accepter tout brouillage reçu, y compris un brouillage susceptible de provoquer un fonctionnement indésirable.

Radiation Exposure Statement:

This equipment complies with ISED radiation exposure limits set forth for an uncontrolled environment. This equipment should be installed and operated with minimum distance 20cm between the radiator & your body.

Déclaration d'exposition aux radiations:

Cet équipement est conforme aux limites d'exposition aux rayonnements ISED établies pour un environnement non contrôlé. Cet équipement doit être installé et utilisé avec un minimum de 20 cm de distance entre la source de rayonnement et votre corps.

LATCH

Document Number: 770-00009 v1.8
Revised On: 05/07/2020