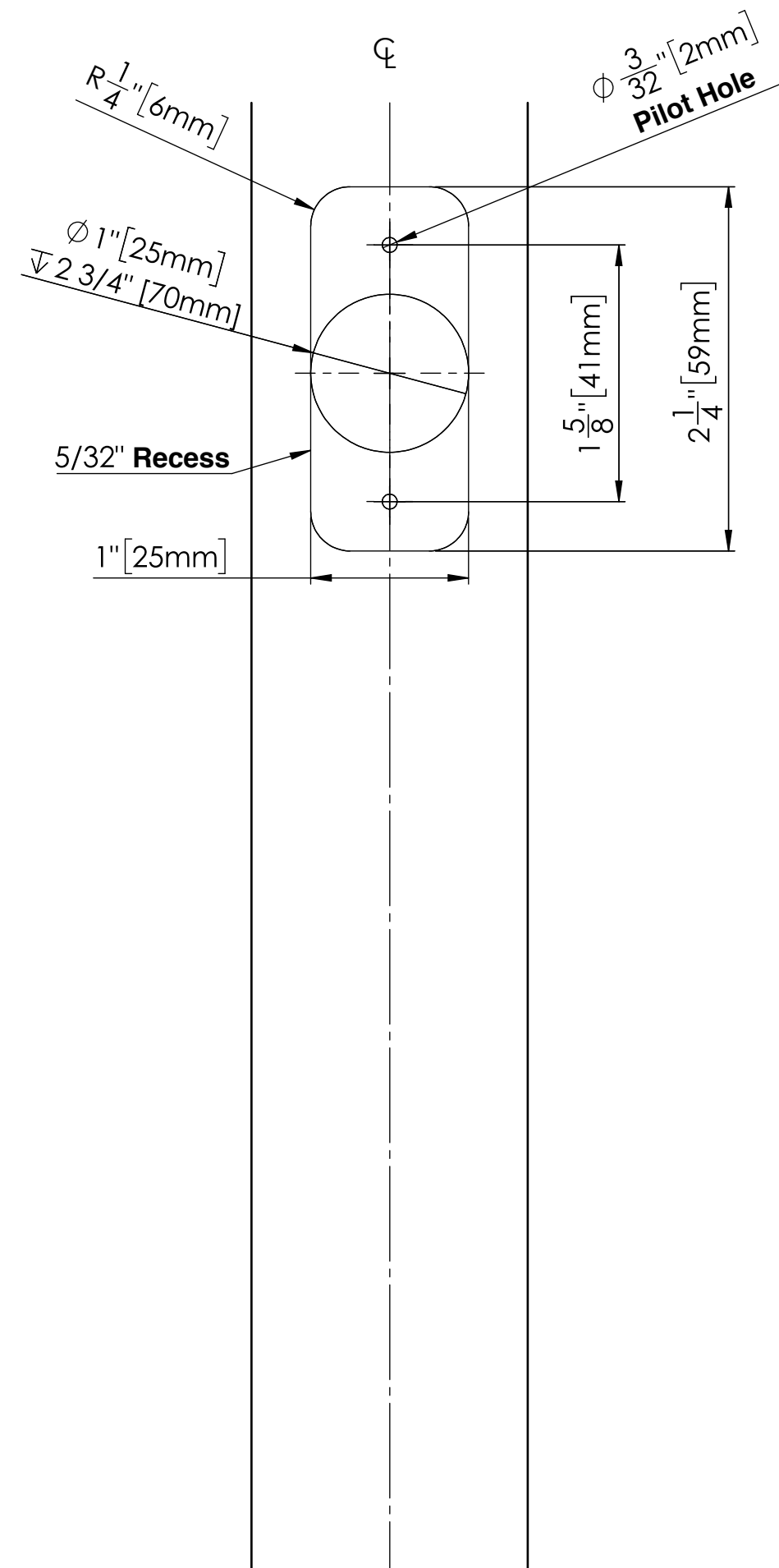
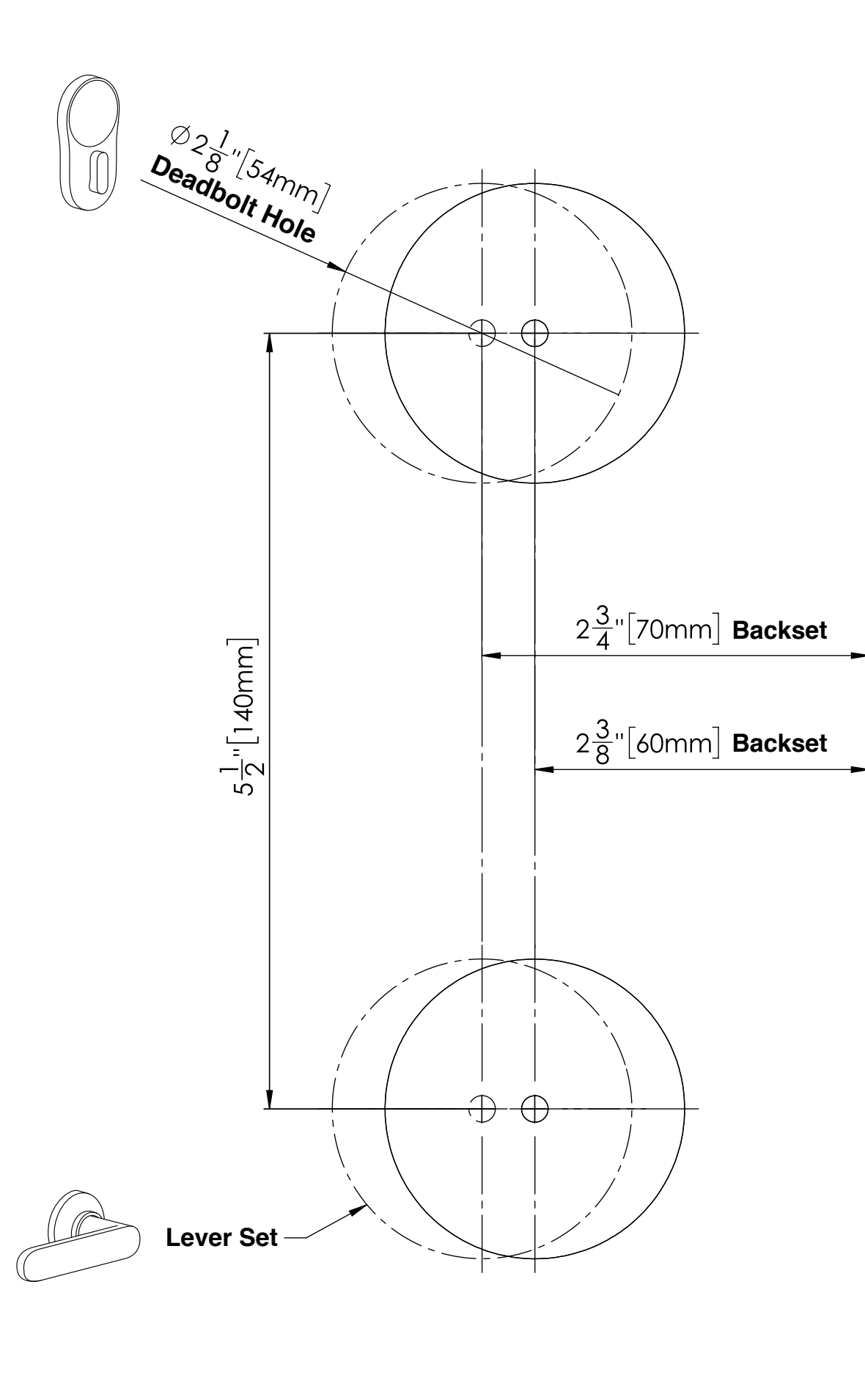
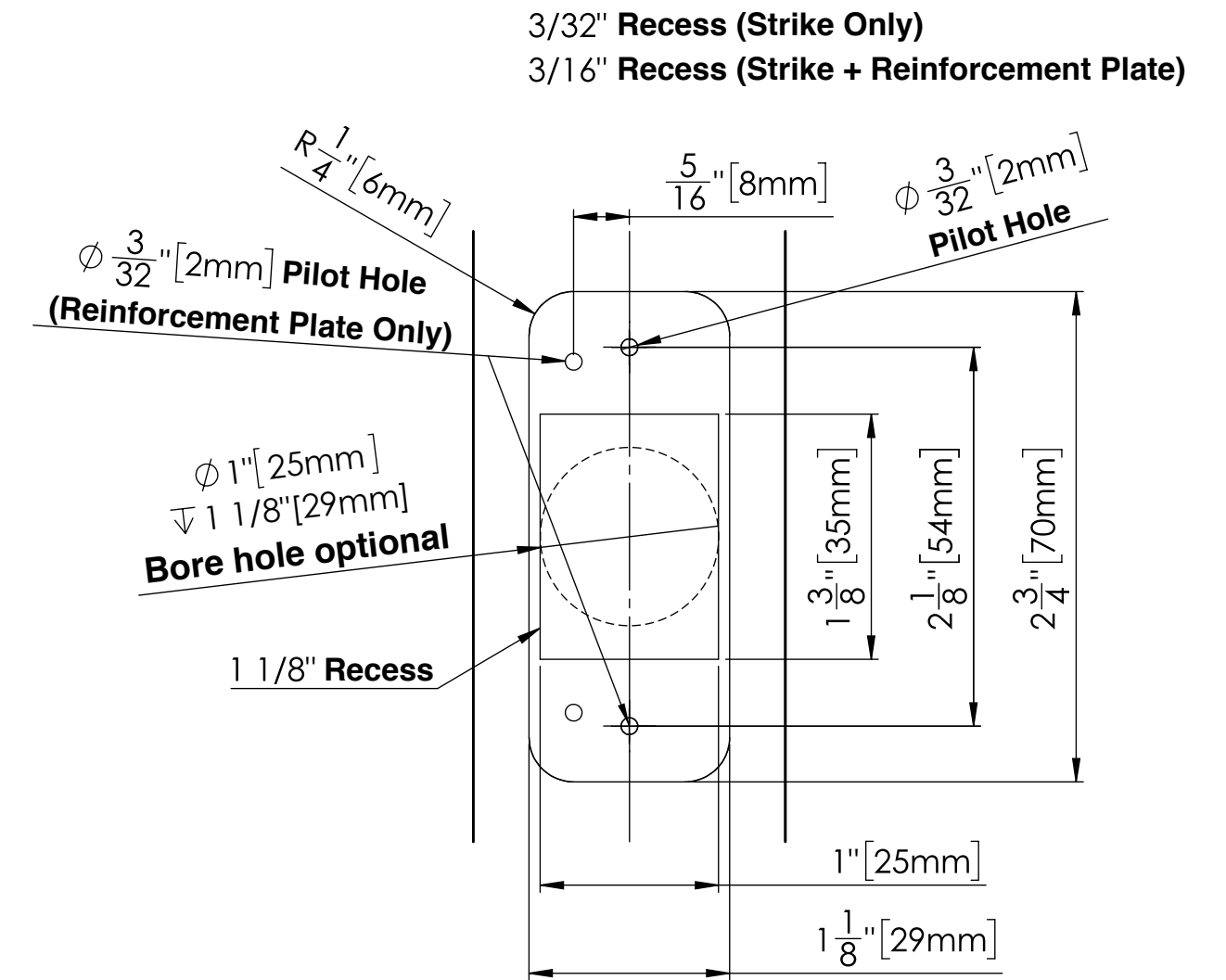


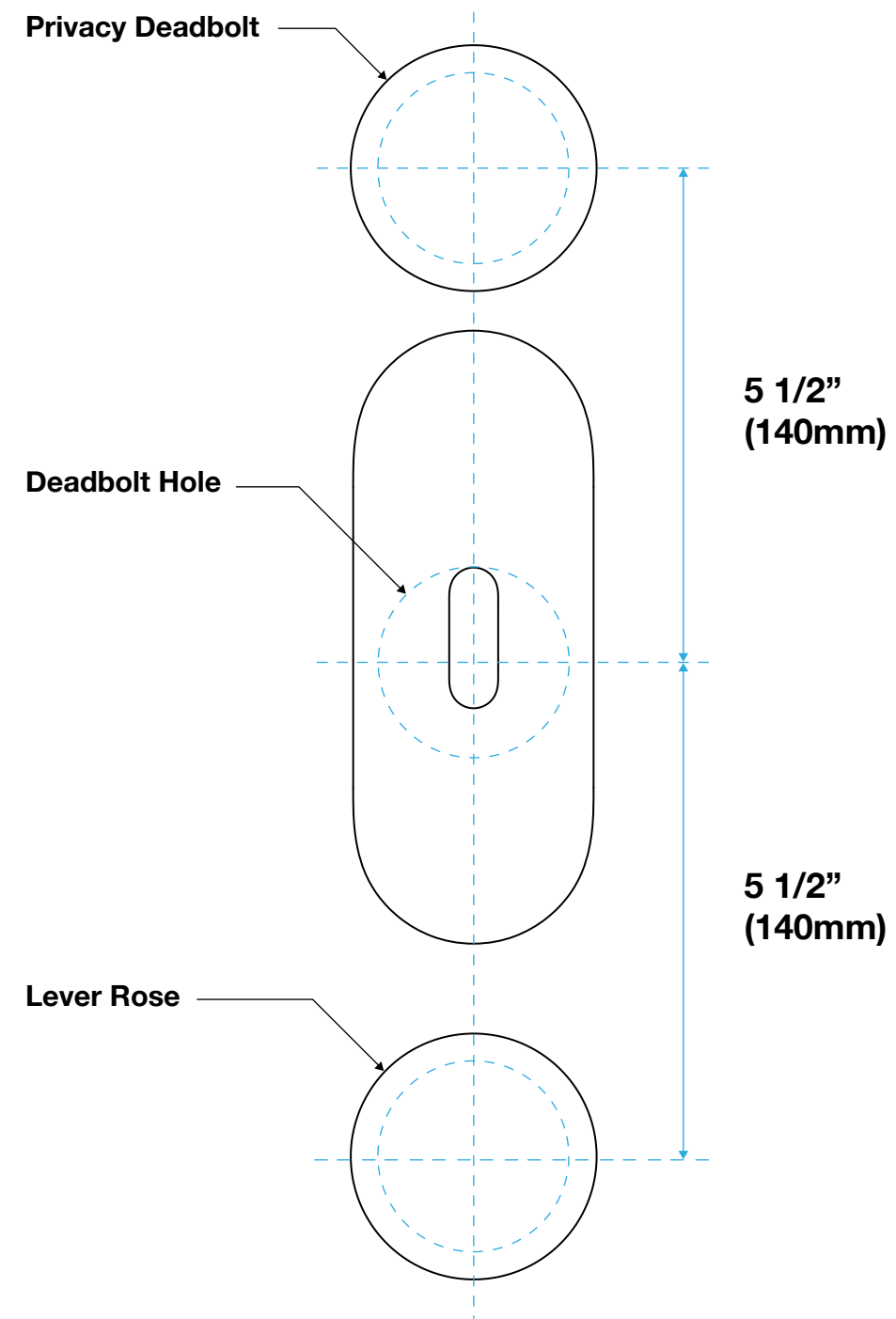
# Door Template



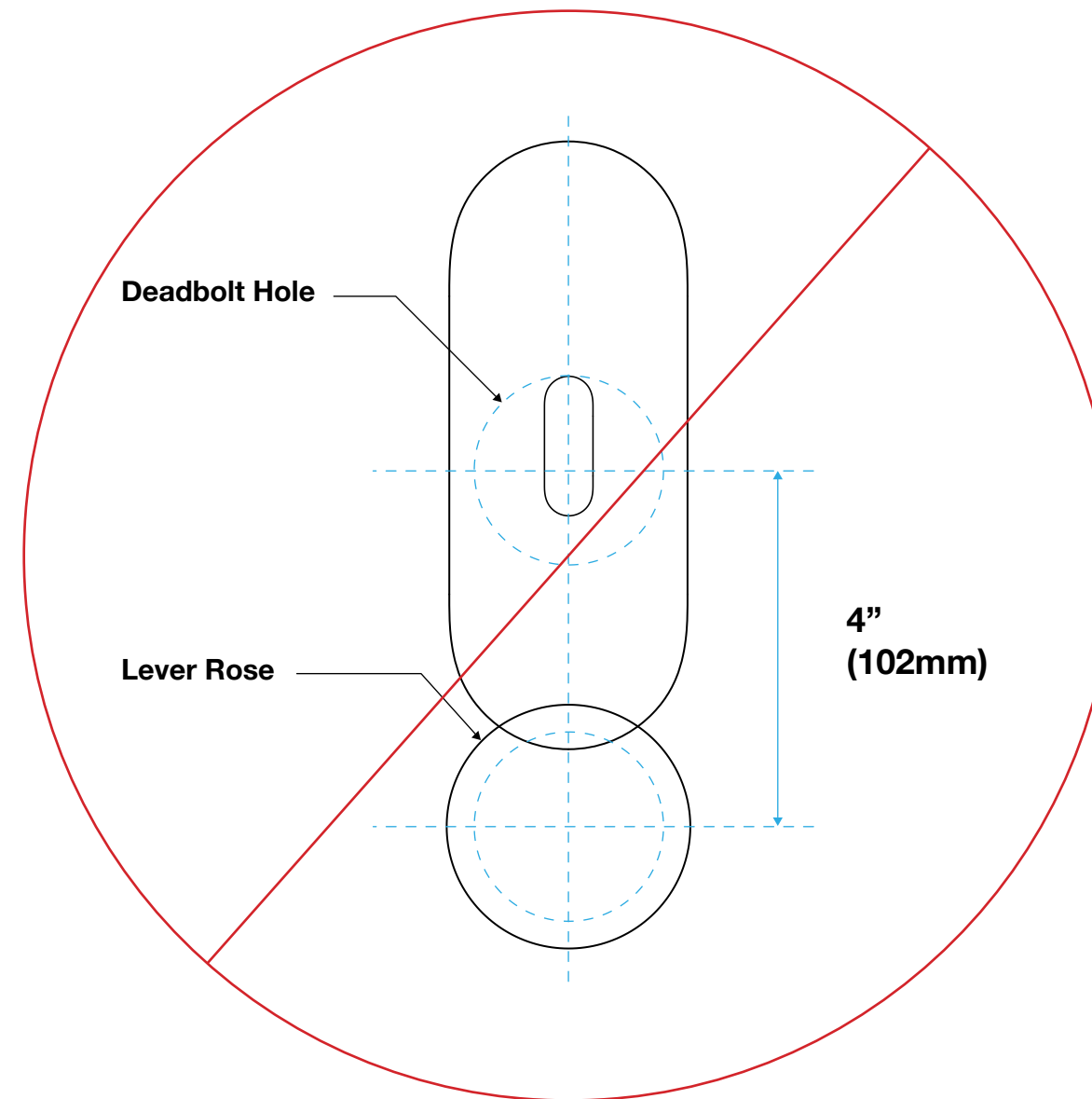
# Strike Template



**LATCH**  
 PROPRIETARY AND CONFIDENTIAL  
 THE INFORMATION CONTAINED IN THIS DRAWING IS THE SOLE PROPERTY OF LATCHABLE, INC. ANY REPRODUCTION IN PART OR AS A WHOLE WITHOUT THE WRITTEN PERMISSION OF LATCHABLE, INC. IS PROHIBITED.  
 REVISED ON 11/05/20



C2 must be at a 5.5" center-to-center spacing from the lever set bore hole. A privacy deadbolt can be installed above C2 at a 5.5" center-to-center bore hole spacing.



Note above that C2 will not fit on a 4" center-to-center spacing with the lever.