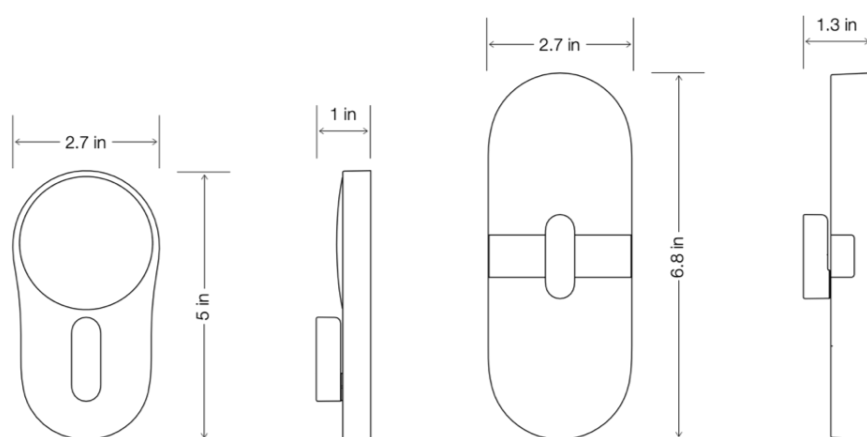


# C2

## Specification

### Dimensions

---



### Finishes

---



**Satin Chrome Exterior,  
Latch White Interior**

Satin Finish  
Zinc Alloy Exterior & Turns  
Polycarbonate Lens & Battery Cover

## Features

<b>Credential Types</b>	Smartphone, NFC Keycard, Doorcode
<b>Users</b>	1500
<b>Management</b>	App and Cloud

## Communication

<b>Wireless Standards</b>	Bluetooth Low Energy 5.0 (BLE), Near Field Communication (NFC)
<b>NFC Frequency</b>	13.56 MHz
<b>NFC Type</b>	DESFire Light
<b>Supported Devices</b>	iOS, Watch OS, and Android (see website for full list of supported devices)

## Power

<b>Power Supply</b>	6 AA non-rechargeable alkaline batteries
<b>Battery Status</b>	Passive monitoring and active notifications via LatchOS
<b>Inductive Jumpstart</b>	Qi-compatible power source can wireless power a Bluetooth unlock in the event of battery failure

## Environmental

<b>Operating Temperature</b>	Exterior: -30°C to 70°C, Interior: -20°C to 54°C
<b>Operating Humidity</b>	0–95% relative humidity, non-condensing
<b>Weather Resistance</b>	Lens: IP65, Exterior/Interior Assemblies: IP55 — Interior assembly not intended for outdoor use.

## Certifications and Warranty

<b>Certifications</b>	UL 10B/C (90 min), CAN/ULC S104, FCC Part 15, IC RSS, FL TAS 201/202/203-94, ANSI/BHMA 156.36 Grade 2 Certified
<b>Compliance</b>	Complies with Americans with Disabilities Act
<b>Warranty</b>	2-year limited warranty on electronic components, 5-year limited warranty on mechanical components

## Mechanical Specifications

<b>Lock Format</b>	Patent-Pending Turn Mechanism Deadbolt
<b>Handing</b>	Field reversible
<b>Door Thickness Compatibility (field configurable)</b>	1-3/4" and 1-3/8"
<b>Backset Compatibility (field configurable)</b>	2-3/4" and 2-3/8"
<b>Door Preparation</b>	5-1/2" Center to Center with a 1" crossbore
<b>Deadbolt Throw</b>	1"
<b>Faceplate Options</b>	1" x 2-1/4" round corner, drive-in
<b>Strike Plate</b>	1-1/8" x 2-3/4" rounded corner security strike