

# Latch T

Installation Guide

LATCH



# Installation

Follow these steps to  
proceed with installation.

# Included in the Box

## Mounting Hardware

1. Latch T Body
2. Satellite and Coil Assembly
3. Mounting plate
4. 4 Lithium AA batteries
5. 2x Alcohol wipe
6. 2x Wall Anchor
7. 2x Mounting Screw
8. Installation Key
9. 2x Cable Clips

# Not Included in the Box

## Mounting Tools

Phillips head for installing mounting plate screws

**Optional** Drill for going through mounting material  
(Brick, Wood, Concrete, Steel, etc)

## Device Requirement for Setup

- **iPhone 7** or newer
- Latest version of the Latch Manager App

# 1.

Determine the mounting method based on the surface type.

## Installation Surface Review

Identify which type of surface the Latch T will be mounted to and use the table below to determine the type:

Material	Indoor installation method	Outdoor Installation method
Concrete	VHB & Glue	VHB & Glue
Stucco	VHB & Glue	VHB & Glue
Cement	VHB & Glue	VHB & Glue
Marble	VHB	VHB & Glue
Unfinished Steel	VHB	VHB & Glue
Galvanized Steel	VHB	VHB & Glue
Aluminum	VHB	VHB & Glue
Clay Brick	VHB & Glue	VHB & Glue
Wood	Mounting screws	Mounting screws
Glass	VHB	VHB & Glue
Drywall	Mounting screws	Mounting screws

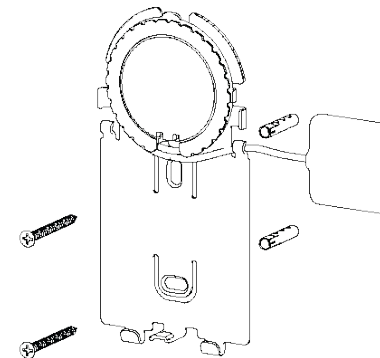
# 2.

## Mounting Methods

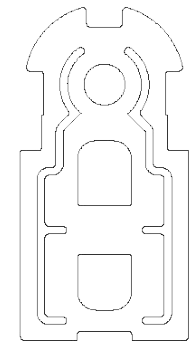
### Description of mounting methods.

Latch recommends utilizing one of three mounting methods: VHB (included on mounting plate), screws (optional), or glue reinforced VHB (purchasable)

Material	Included?	Recommendation
VHB	Behind mounting plate adhesive	Use included
Screws	Included as an option in box.	Use included
Glue	Not included	<a href="#">Recommended Glue</a>



Alternate screw mounting



Mounting plate VHB for glue

# 3.

Identify the legacy reader.

---

## **ID Legacy Reader**

Determine the make and model of the Legacy reader installed on the building.

Ensure that the reader is a low frequency reader. High frequency readers are not supported by Latch T. If you need assistance in determining, we recommend calling your integrator or system administrator onsite.

# 4.

Install batteries and secure battery door to seal product.

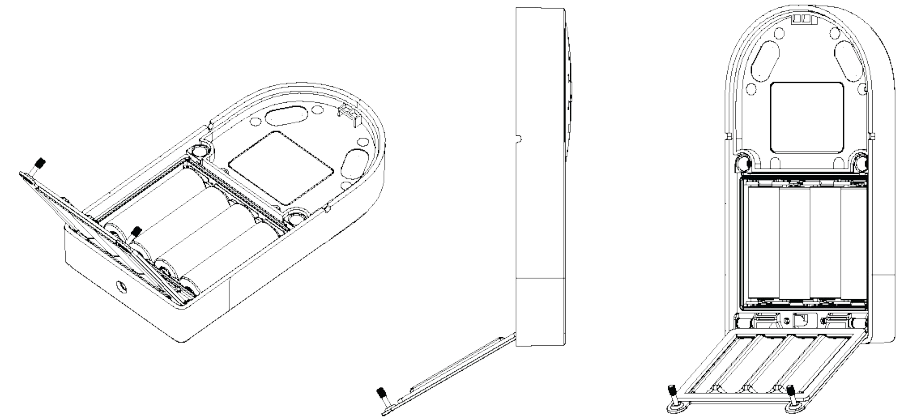
---

## **Battery Installation**

Use the provided installation key to access the two battery door screws.

Make sure Batteries are installed in the correct orientation.

Secure the two top screws to close the batter door.



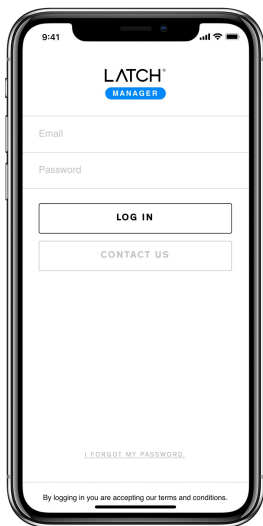
# 5.

Check device functionality with the Latch App.

## Program Latch T

Scan serial, assign to door, and firmware upgrade. Then program the Latch T with a credential from the existing physical access control system. You'll need a facility ID and a card credential assigned to the door you're installing.

Note: For security purposes we recommend creating and programming a unique legacy credential per door. Additionally, for heightened security we recommend rotating credentials on the door on a schedule that works for the property.

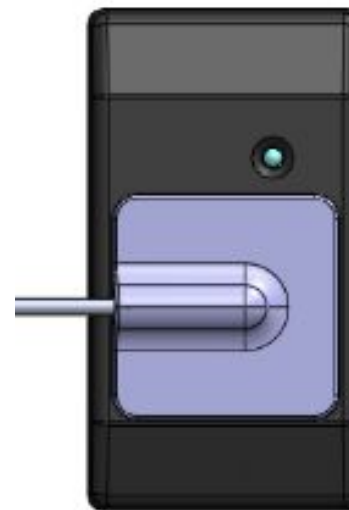


# 6.

Check device functionality with the Latch App.

## Place temporary satellite adhesive.

Utilize the temporary adhesive to place the satellite on the reader and test the unlock. If it fails, try replacing the satellite until you find the correct placement.



# 7.

Determine the mounting location.

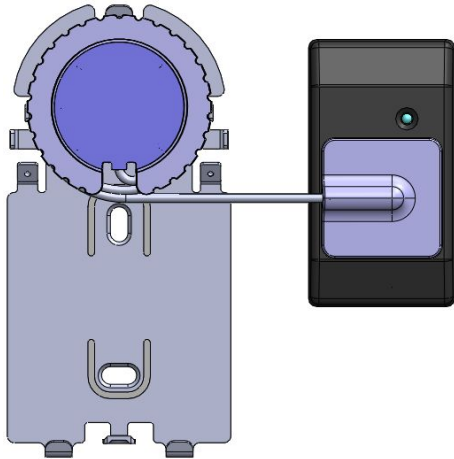
---

## Location

Determine the best location for the Latch T to be installed. We recommend installing Latch T as close to the existing card reader as possible. Rough and bumpy surfaces should be avoided when possible. When utilizing VHB, be sure to wipe the surface with an alcoholic wipe prior.

The Minimum distance from the reader should be around 1". Latch T will support readers up to 10" away when it is not possible to mount it close to the legacy reader.

**Note:** Latch T can be placed in many configurations with the reader, proper location will vary for each building.



# 8.

Check the mounting location and mark it for installation.

---

## Verify Mounting

Verify that the mounting location is correct by holding the mounting plate at the intended position and ensuring that the square satellite can reach the legacy reader.

Make sure that there are no obstacles for the mounting plate or cable.

Mark the location of the mounting plate with a pencil to ensure proper positioning when installing.

**Note:** For screw mounting, also mark the location of the holes.

# 9.

Attach the mounting plate to the wall.

## Adhesive Mount

Clean the mounting surface from any dust or debris using one of the supplied alcohol preparation pads.

Remove the adhesive liner and place the mounting plate in the location marked in the previous step.

Using both hands, apply pressure (using your bodyweight) to the bottom and top of the mounting plate with your palms. Continue to apply pressure across the entire flat surface for 45s.

Check around the border of the mounting plate to make sure there are no gaps between the adhesive and wall.

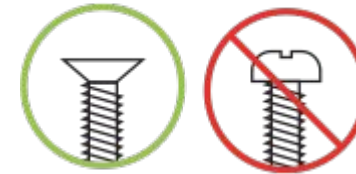
Note: Adhesive will take 20 minutes to cure to 80% of its mounting strength. It will be fully cured after 48 hours.

## Screw Mount

Using the holes marked in the previous step, drill at 3/16" for wall anchors. Using a mallet, gently tap the anchor until they are flush with the wall.

Follow the steps for the adhesive mounting, but ensure that the screw channels align with the anchors before applying pressure.

Use the two supplied screws to fasten the mounting plate on the wall.



Important: Use the provided screws or #6 flathead screws to avoid mounting failure.



# 10.

Mount the square satellite.

## Mounting the Square Satellite

Clean the legacy reader mounting surface from any dust or debris using one of the supplied alcohol preparation pads. Allow surface to dry.

Remove the adhesive liner and place the satellite in the location determined in the previous step.

Using both hands, apply pressure (using your bodyweight) to the bottom and top of the satellite with your palms. Continue to apply pressure for 45s. Repeat this process for the left and right sides of the satellite.

Check around the border of the satellite to make sure there are no gaps between the adhesive and reader.

**Note:** Adhesive will take 20 minutes to cure to 80% of its mounting strength. It will be fully cured after 48 hours.

# 11.

Reduce the cable slack.

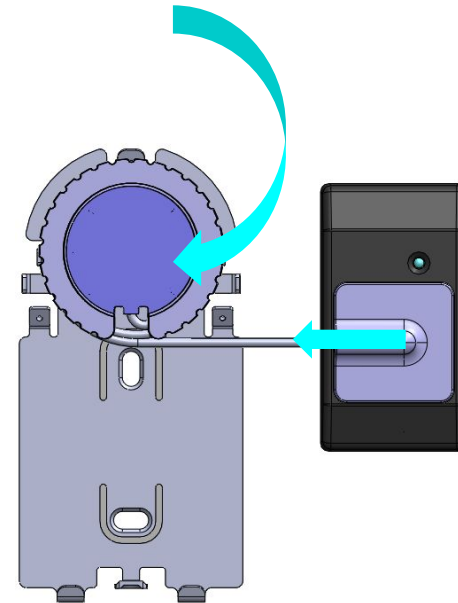
## Cable Slack

Make sure any excess slack is wrapped around the circular puck. Rotate the puck as shown below.

The cable should be tight enough so that it does not sag, but not too tight so that it is pulled off the wall.

Please ensure the cable is tucked behind the cable hook on the mounting plate.

**Note:** If the reader is on the opposite side as shown, rotate counterclockwise



# 12.

Route the cable.

## Cable Routing

Use the included cable clips to guide the wire flush along the wall.

Follow the adhesive mounting instructions the same as the mounting plate.

Clean the mounting surface from any dust or debris using one of the supplied alcohol preparation pads.

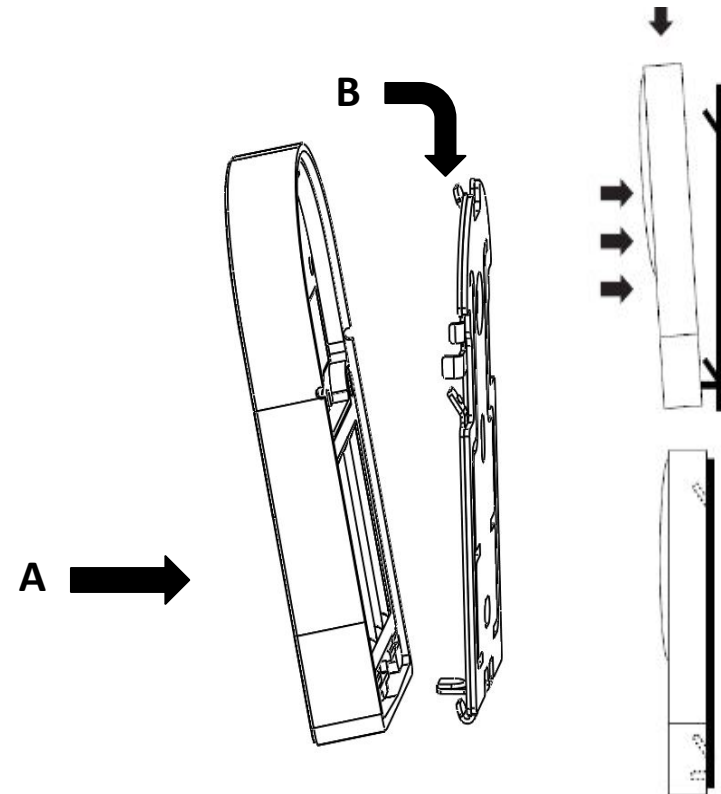
Using both hands, apply pressure (using your bodyweight) to the bottom and top of the cable clip with your palms. Continue to apply pressure for 30s.

# 13.

Install the device.

## Mounting the Latch T

Rotate the Latch T onto the mounting plate and then slide downwards. There are 2 hooks on the bottom and one on the top that should be engaged.

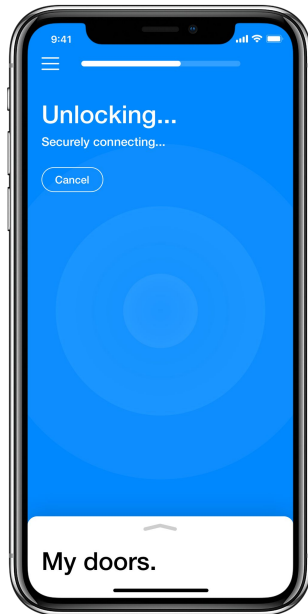


# 14.

Check device functionality with the Latch App.

## Verify Functionality

Check to ensure unlock is working.

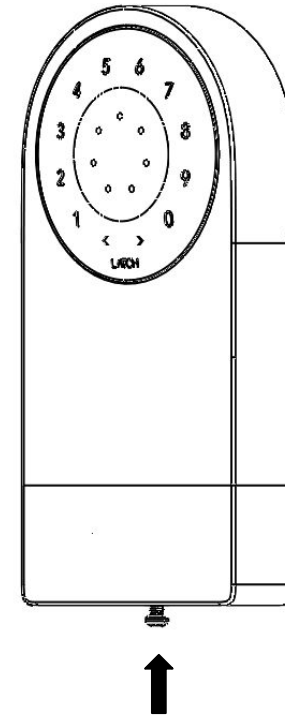


# 15.

Lock the product on the wall.

## Secure

Tighten the security screw using the provided installation key.



# Product Overview

