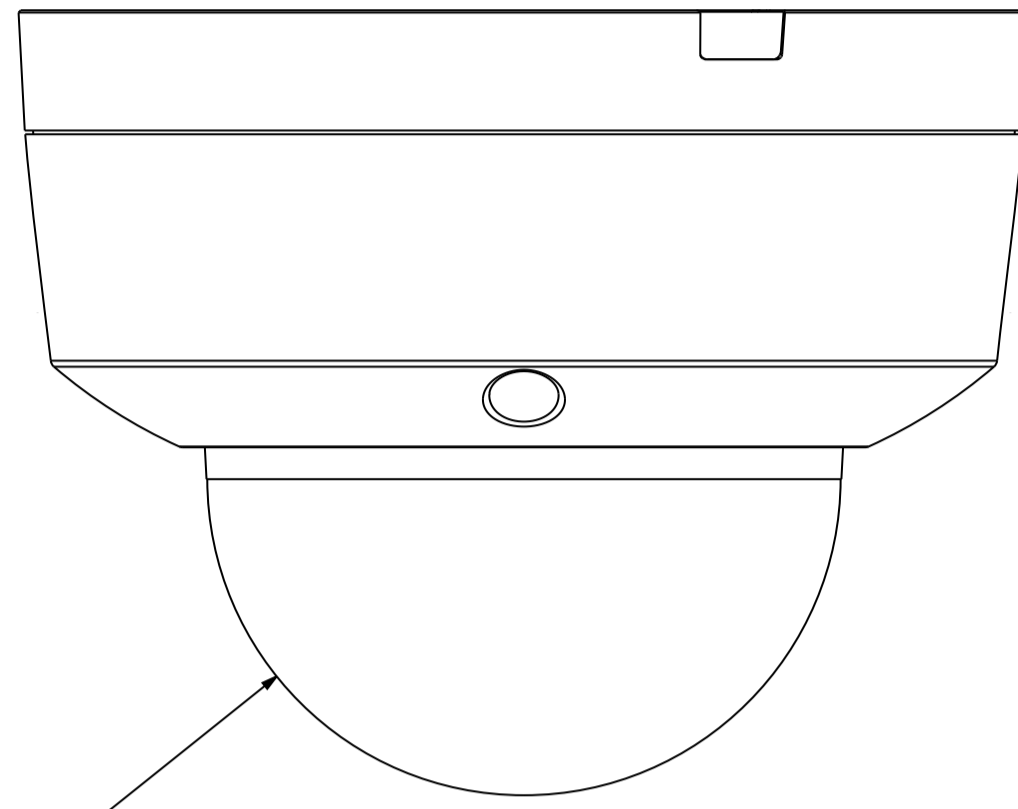
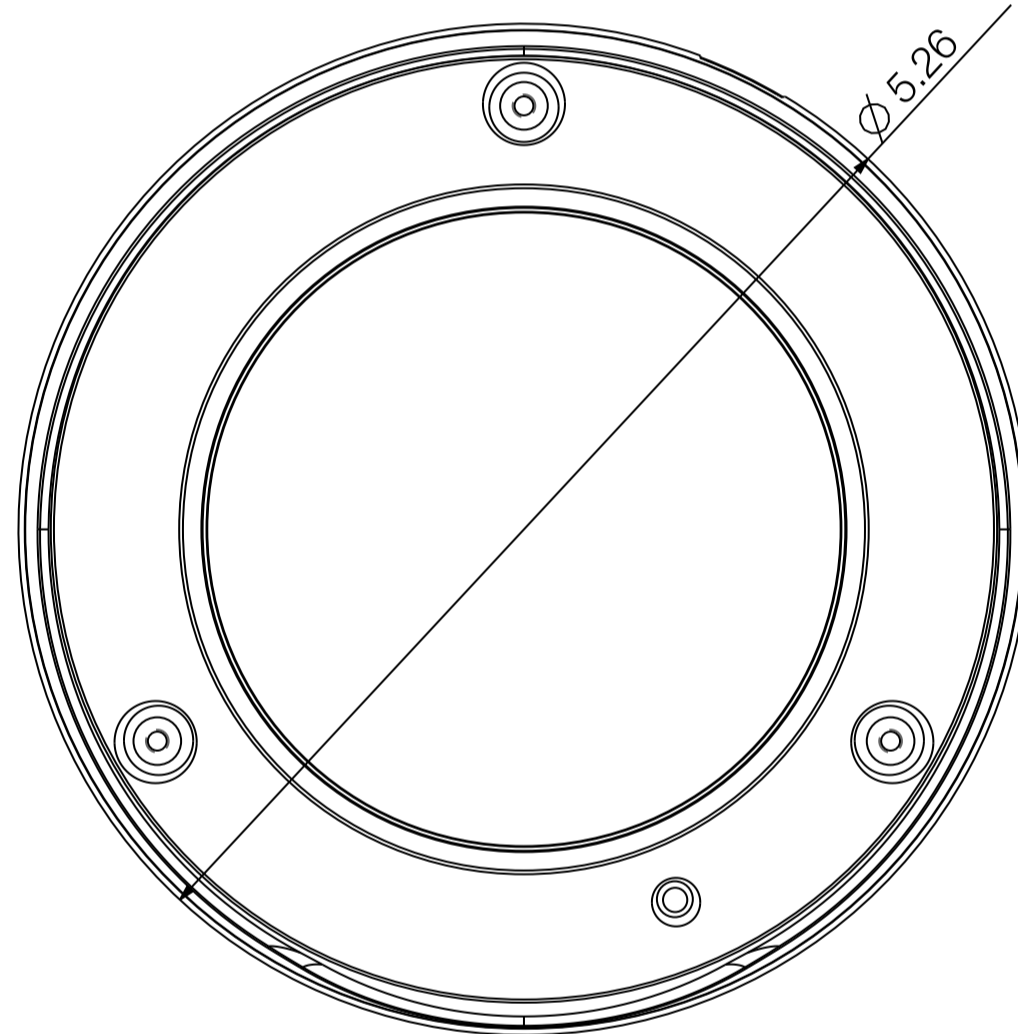


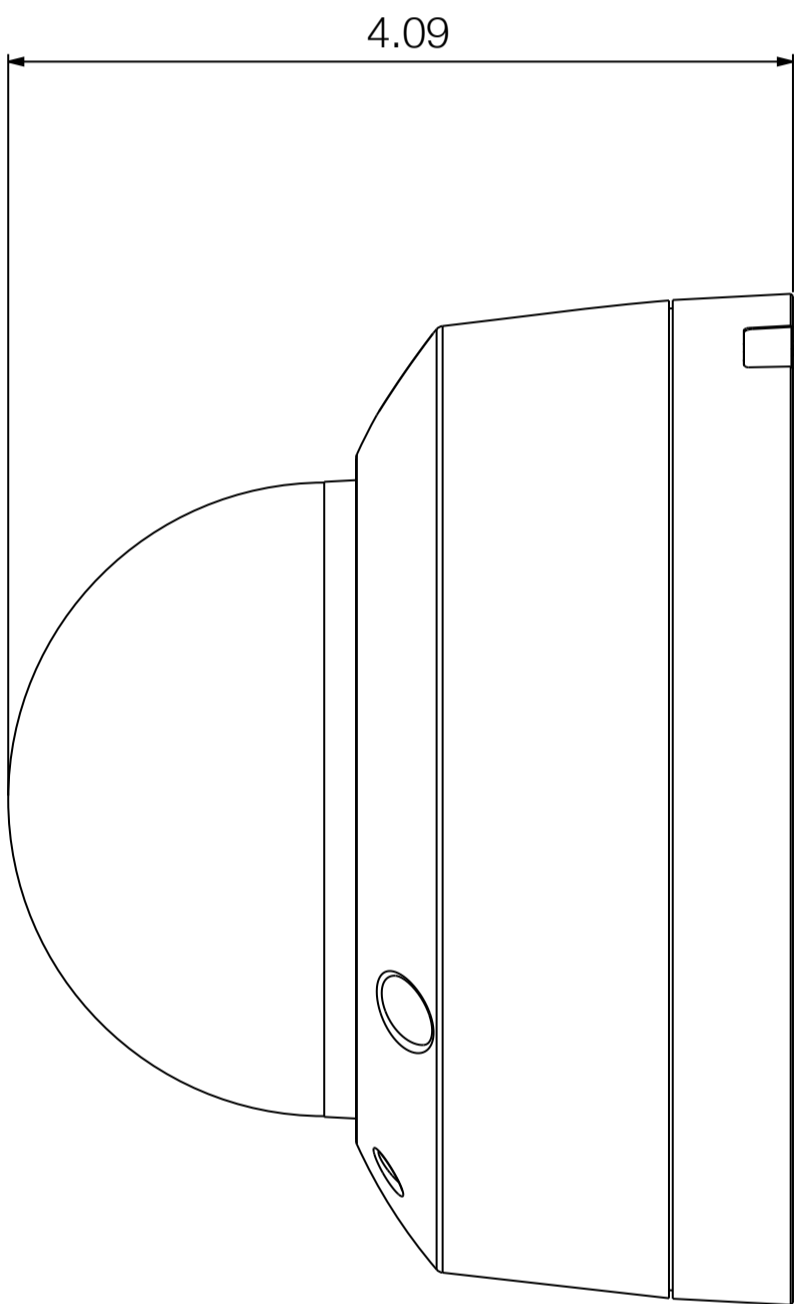
REVISIONS				
REV	DESCRIPTION	POSITION	ENGINEER	DATE
1.0	New Edition			04-22-19



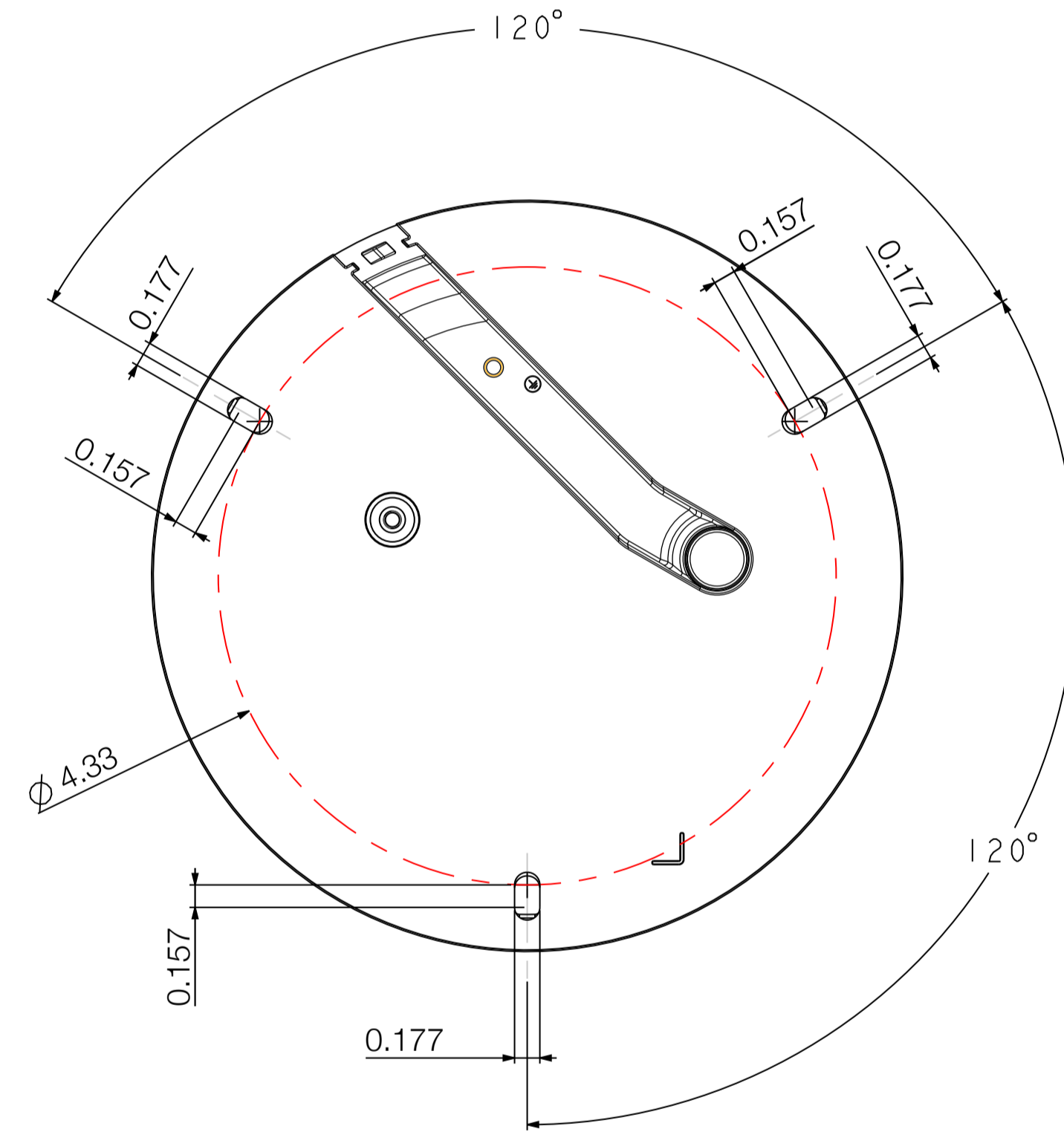
$\phi 3.3$



$\phi 5.26$



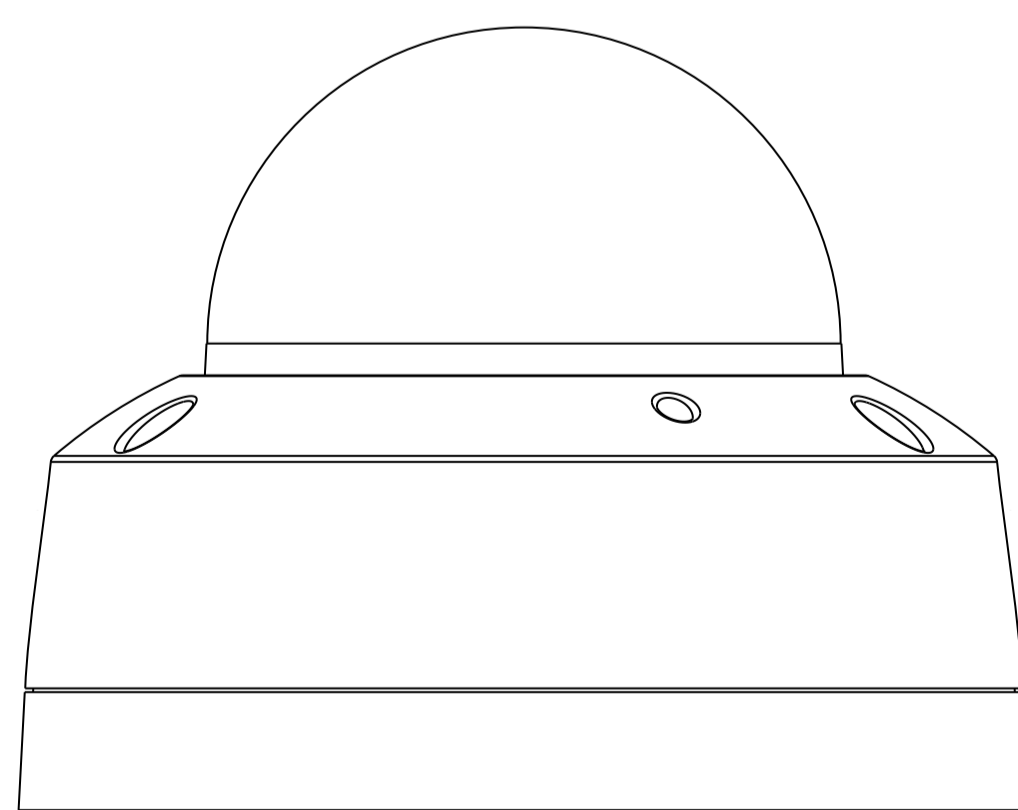
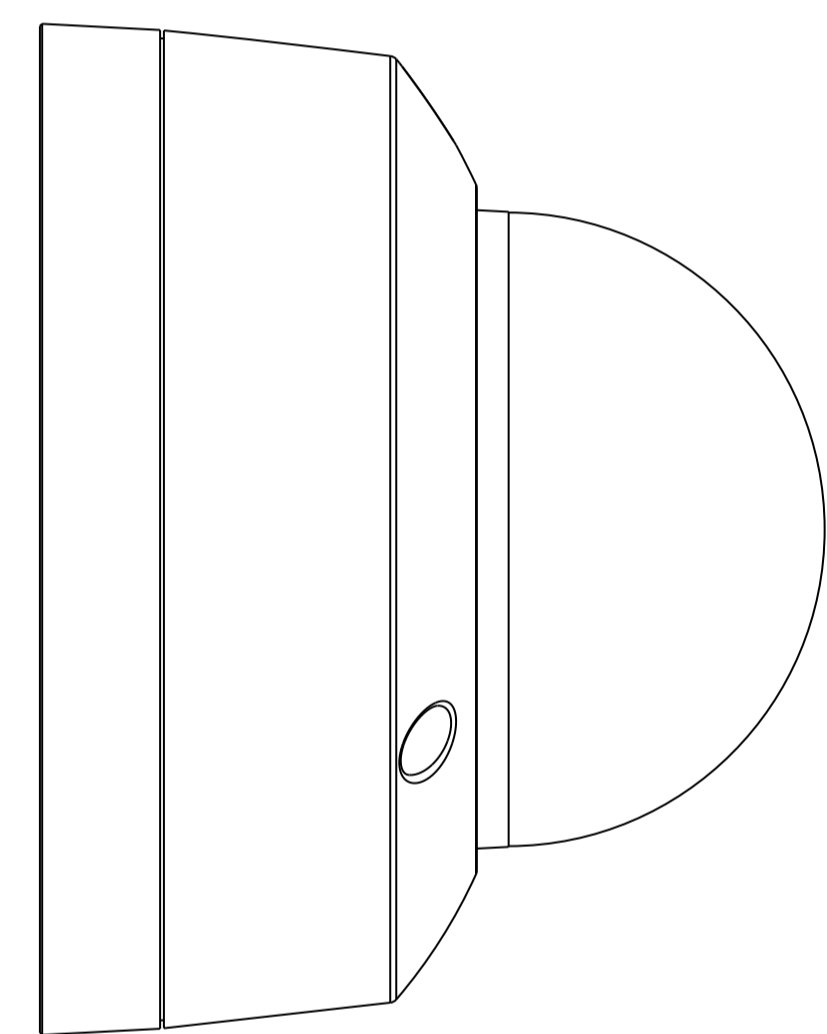
4.09



$\phi 4.33$

120°

120°



UNLESS OTHERWISE SPECIFIED
DIMENSIONS ARE IN INCHES

TOLERANCE ON:
 LINEAR: ±.05 >0.10
 ±.03 >0.15
 ±.02 >0.20
 ±.01 >0.30
 ±.005 >0.50
 ±.002 >1.00
 ANGULAR: X ±1°
 Y ±.5°

LATCH		PART NO.	
ENGR	MODEL	FD9368-HTV_LC9368-HTV	
DRN	DRAWING	FD9368-HTV_LC9368-HTV	
CHK	TITLE		
M-TL	ASSY	ISSUE DATE	04-22-19
FINISH	NA	REVISION	1.0
SCALE	1:1	UNIT	mm
SIZE	A1	SHEET	1 OF 1
CPDZ-W1-014-01-5			