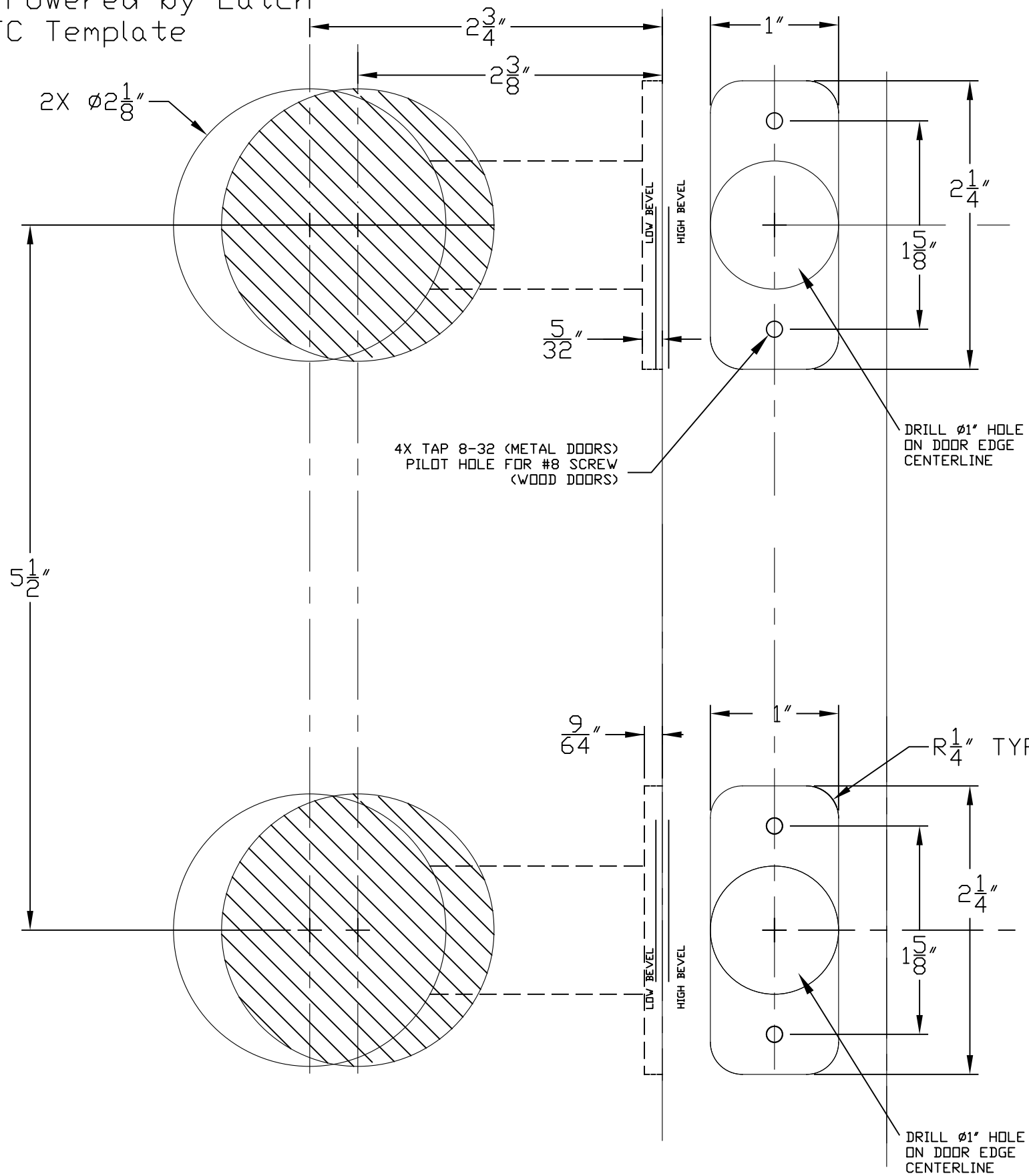


RESPONSIBILITY: Door and frame manufacturers are responsible for providing adequate construction or reinforcements for proper installation of hardware.

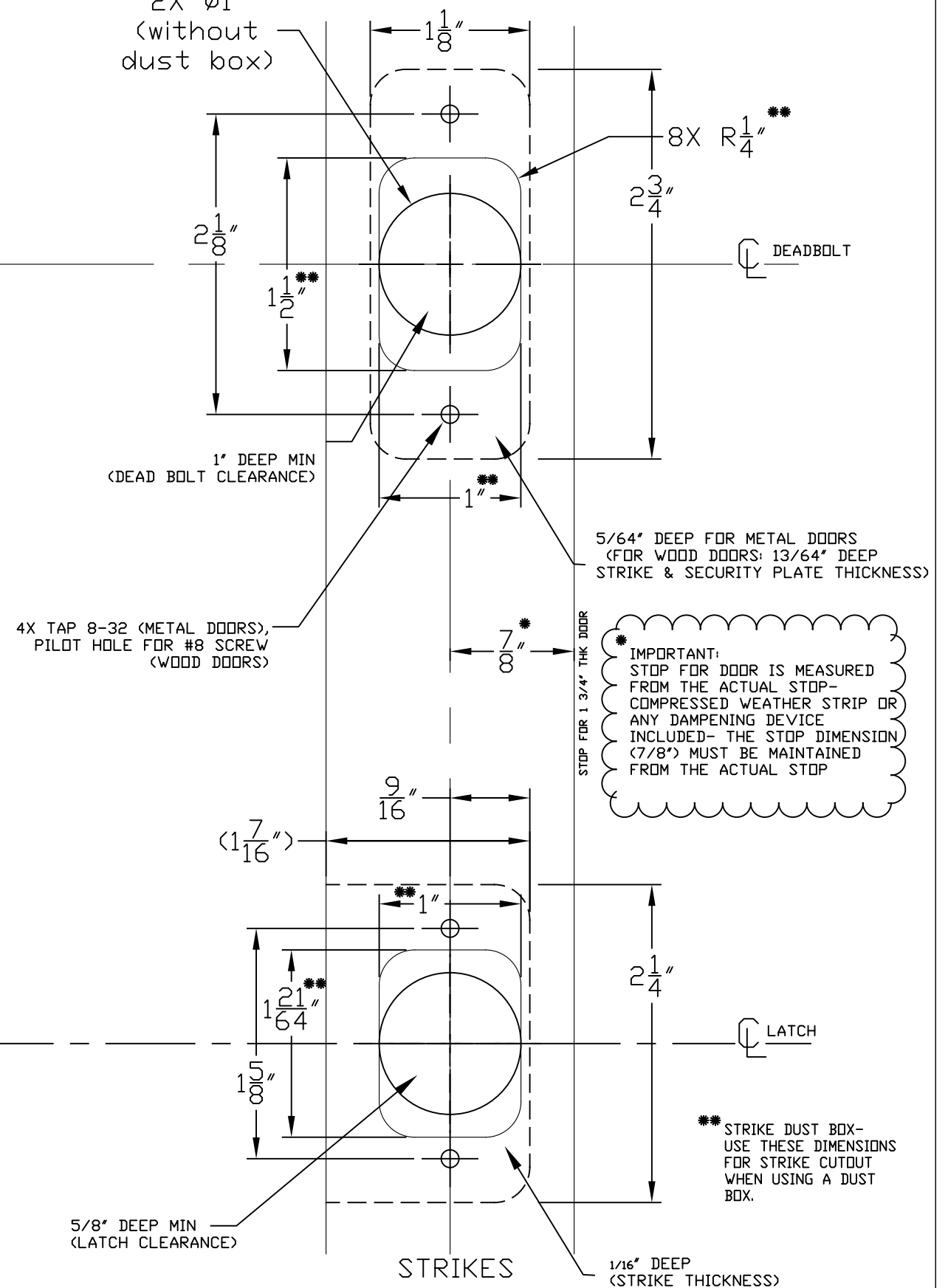
e-Genius Powered by Latch®
5 1/2" CTC Template



IMPORTANT (for door face trim only):
For high bevel place outside
line at edge of door. For flat
doors place centerline at edge
of door. For low bevel place
inside line at edge of door.

TEMPLATE SCALE IS 1:1 IF THIS MEASURES 1":

2X $\phi 1$ "
(without
dust box)



RESPONSIBILITY: Door and frame manufacturers
are responsible for providing adequate construction or
reinforcements for proper installation of hardware.